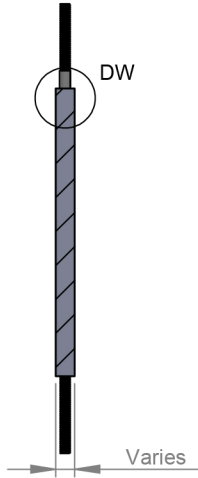
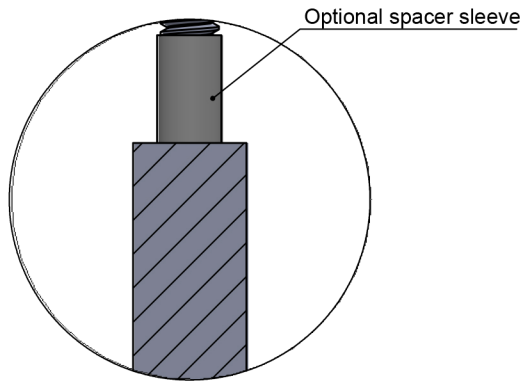


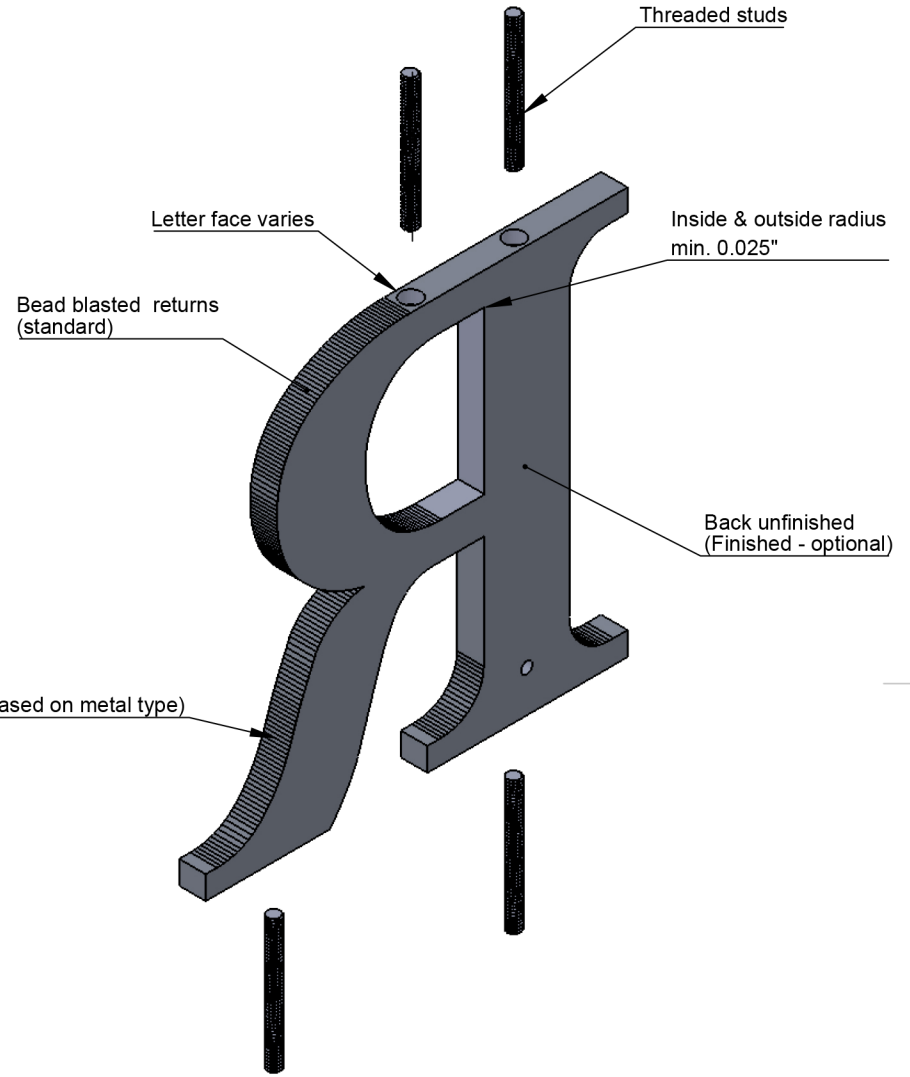
FRONT VIEW II SCALE 1 : 4



SECTION C-C II SCALE 1 : 4



DETAIL DW SCALE 3 : 2



ISOMETRIC BACK VIEW II SCALE 1 : 2

**NOTES:**

- 4"-24" high letters
- Typical stud length 2"
- Letters under 8" high - 10/24 studs, 8" high and larger, or 1/2" thick or more, 1/4-20 stainless steel studs
- Optional: Sanded Tops and bottoms of round letters such as (G, O, S, U, C, J, Q)
- Minimum 4 studs per letter, min 3/8" thick
- Letters or logos, standard or custom

**TITLE:** FLAT CUT METAL - TOP AND BOTTOM STUD MOUNT

<b>MATERIAL:</b> <b>METAL</b>	<b>PRODUCT TYPE:</b> <b>FLAT CUT METAL</b>
----------------------------------	---